

**SHAPE UP...
FOR SUPERIOR
PERFORMANCE.**

EL

SERIES

**STEEL
DUMP
BODY**



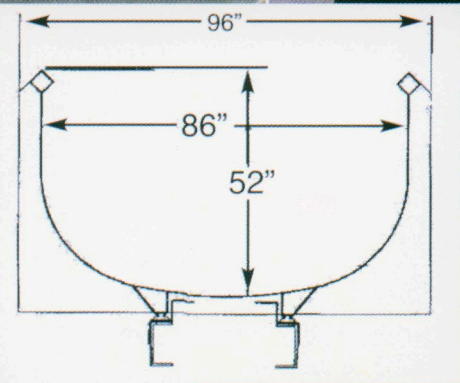
Our new *EL Series* offers a number of innovative features such as the elliptical bed shape for a lower center of gravity and quicker load discharge. The tough AR 400 steel deck provides increased deck strength and life. A new dual position air operated high-lift tailgate (conventional spreader operation with chains as well as 7' high lift capabilities) results in much quicker turn around time. The unique "crossmemberless" body allows for much faster after-work cleanup. These enhancements, plus numerous other *EL* features will maximize your productivity.

R/S Truck Body Co., LLC

Godwin

Ivel, Kentucky 41642

(606) 874-2151 (800) 826-7413



EL SERIES STEEL DUMP BODY

LENGTH / MODELS	SIDE HT.	TAILGATE HT.
13' 63106 13 9652EL	52"	56"
14' 63106 14 9652EL	52"	56"
15' 63118 15 9652EL	52"	56"
16' 63127 16 9652EL	52"	56"
17' 63142 17 9652EL	52"	56"
18' 73151 18 9652EL	52"	56"
19' 74154 19 9652EL	52"	56"
20' 74170 20 9652EL	52"	56"

STANDARD EL FEATURES

Stop/Tail/Turn lights
Full length fenders Aluminum tarp arms

Choice of color, **PPG Delfleet paint**
Spreader chain

EL OPTIONS

Side decals
Conventional spreader only gate
AR450 steel sides/tailgate
Mesh or asphalt tarp Lift axle
LED lights Air PTO control
Air Feathering control
Toolboxes
Tapered tailgate
Asphalt taper Bed liner
Aluminum side and front mount oil tank
Wood boards
Extruded aluminum boards
Spreader apron
Offset cabshield
Optional cabshield length
Aluminum control box
Chrome exhaust S-pipe
High lift air/conventional tailgate (works both ways)